

## REPLACEMENT PARTS

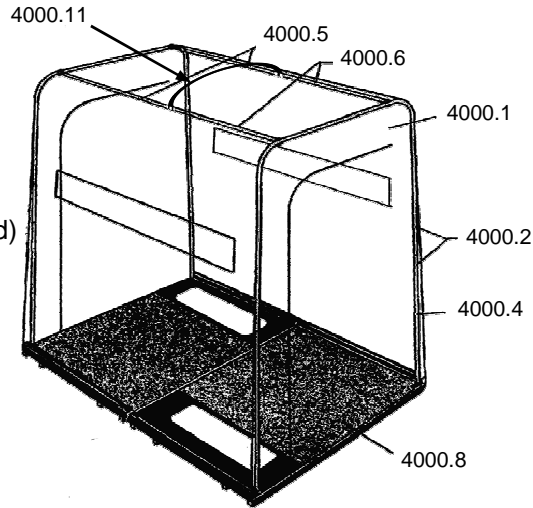
MODEL S4000 (58" x 92" Floor)

### Part# Description

4000.1	Poly Cover
4000.2	Frame Assembly
4000.4	Floor Pole (only)
4000.5	Roof Tube (plain end)
4000.6	Roof Tube (formed end)
4000.7	Elastic Frame Cord
4000.8	Carpeting
4000.11	Roof Bow
SK4000	Skis

### Accessories

IA2 Ice Anchors



**NOTE:** Small Holes, Tears and Cuts in Cover can be Repaired with Black and Grey Duct Tape.

To Order Parts, give Part No., Description and Qty Needed.

SHAPPELL CORP., 3562 W. Jefferson Hwy., Grand Ledge, MI 48837

Toll Free (888) 571-1144

### CONSUMER WARRANTY

SHAPPELL CORPORATION warrants its products against defects in material and workmanship for (1) YEAR from date of purchase. We will provide FREE repair or replacement, in whole or in part, at our option, for any product, found in our opinion to be defective. If return is required, freight must be prepaid. This warranty does not cover Freight Damage, Ordinary Wear and Tear, Abuse, Misuse or Altered Product.

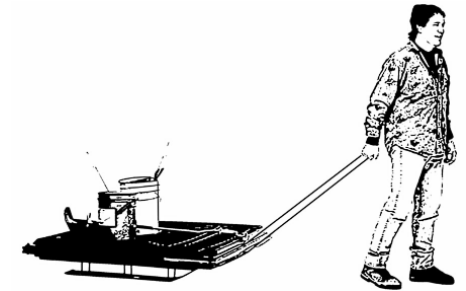
**WINDOWS ARE NOT GUARANTEED AT TEMPERATURES BELOW  
-15 DEGREES FAHRENHEIT.**

For warranty claim, send letter indicating product and explanation of defect plus dated proof of purchase to the SHAPPELL Corp., 3562 W. Jefferson Hwy, Grand Ledge, MI 48837.

# Shappell®

## Model S4000

## PORTABLE ICE FISHING SHELTER



### IMPORTANT SAFETY INFORMATION



**WARNING:** Keep all Heat & Flame Sources away from the Shelter's Fabric Cover. The Fabric Cover is Fire Retardant, **it is not Fire Proof.** The use of any heat source can be extremely dangerous, both for Fire Hazard and Carbon Monoxide Emissions. The Shappell Corporation does not endorse the use of any Heater. It is the user's responsibility to follow the Instructions and Warnings provided by the Heater Manufacturer for the safe use of a particular Heater.



**CARBON MONOXIDE POISONING HAZARD:** This shelter is nearly air tight and must be ventilated if using an oxygen consuming heat source. An extra zipper pull at the top of each door provides ventilation and can also be used to form a window for viewing. **DO NOT PACK SNOW AROUND SHELTER** or in any way prevent fresh air from entering shelter. **Failure to Ventilate Shelter could create a Serious Health Hazard or Death.**

Towing of shelter with a motorized vehicle is not recommended.

Windows can not be made to withstand temperatures below -15° F. (see warranty)

**PREVENT DAMAGE TO HINGE JOINT:** Always set shelter on a level flat surface.

**MAINTENANCE:** After each use, set up shelter until fabric is completely dry. **Never leave shelter folded closed with a wet cover.**

**NOTICE:** It is normal for fabric to have some pinholes. This does not affect water repellency.

**READ SETUP & TAKEDOWN INSTRUCTIONS BEFORE USING SHELTER**

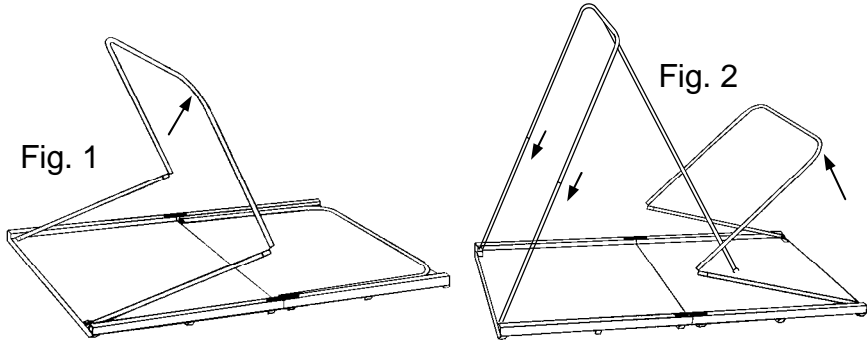
## SET UP INSTRUCTIONS

1) Open floor on a flat, level surface, with a door end facing the wind. **Damage to Hinge Joint may occur if Floor is not evenly supported.**

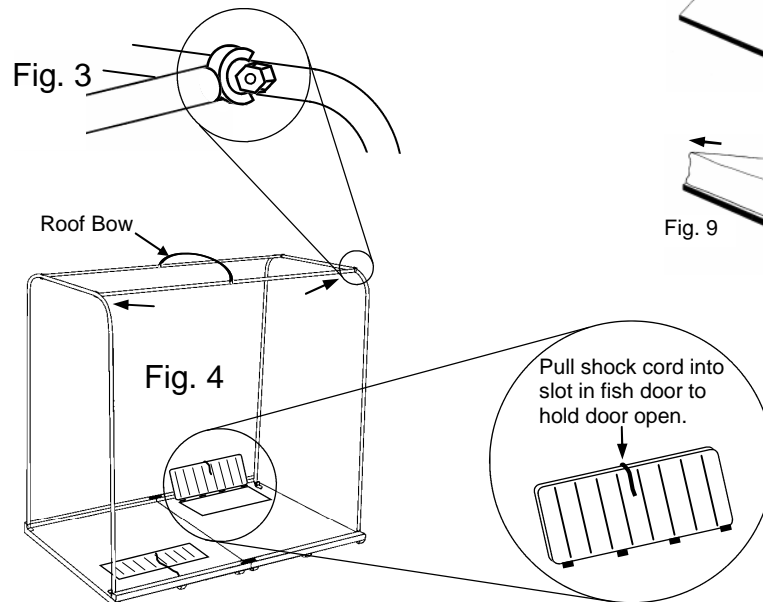
2) Assemble Roof Tube sections.



3) Fig. 1, Raise one U Shaped Frame. Keep Frame about 24" away from Corners of Fabric Top and Slip ends of U Frame over Crimped ends of Floor Poles...Shock Cord will pull Frame together. Push Assembled Frame into Corners of Fabric Top and adjust Seam in Fabric so that it follows the Curve of the Frame. Snap end of a Roof Tube Assembly to U Frame and Support Frame as shown in Fig. 2.

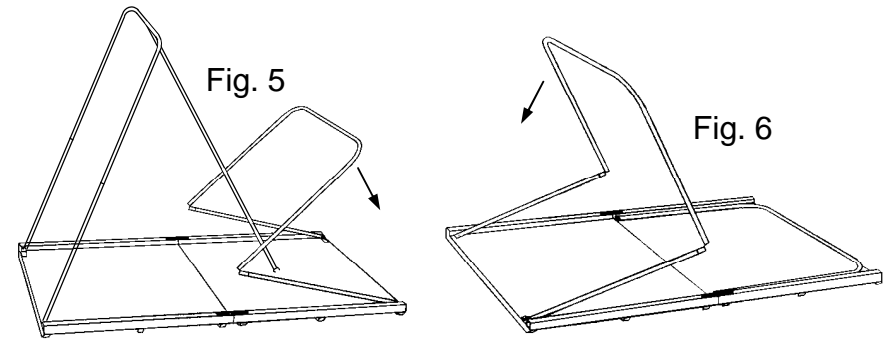


4) Fig. 2, Raise second U Frame, again keeping Frame about 24" away from Corners of Fabric Top. Assemble Frame and push into Corners of Fabric Top and adjust Seam in Fabric to follow Curve of the Frame. Clip end of Roof Tube Assembly to U Frame and slide next to inside edge of nuts as shown in Fig. 3 & 4. Clip second Roof Tube Assembly into place next to Nuts. With both Roof Tubes next to inside edge of Nuts...Install Roof Bow, Fig. 4.

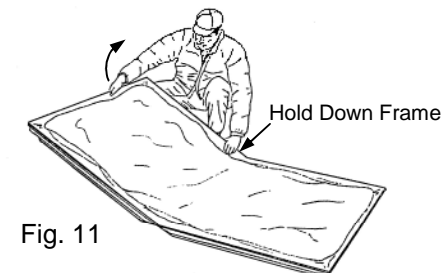
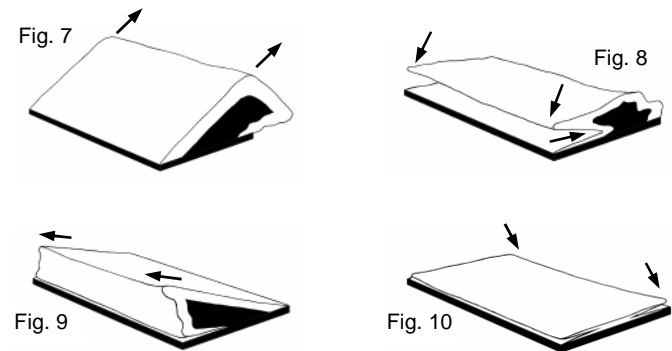


## TAKE DOWN INSTRUCTIONS

1) Fig. 5, Remove Roof Tubes from one U Frame and use one Roof Tube to Support other U Frame as shown. Pull U Frame away from Fabric Corners, then pull apart and Fold Frame to Floor while keeping Fabric away from Frame. **Do Not Wrap Fabric Around Frame.** NOTE: U Frame should lay inside of the Floor Poles, not on top of them. Repeat for other U Frame, Fig 6.



2) Fold Tent as shown in Fig. 7,8,9,10 and11.



**\$4000**

# \$4000

## SKI SYSTEM

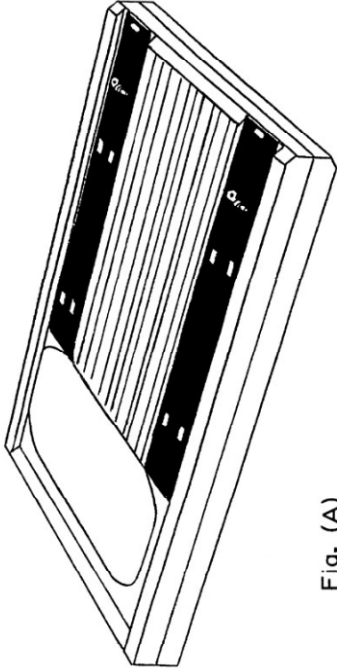


Fig. (A)

When setting up shelter or if moving shelter without using skis, be sure that skis are folded flat to the floor and secured with Clip Pin as shown in Fig. A.

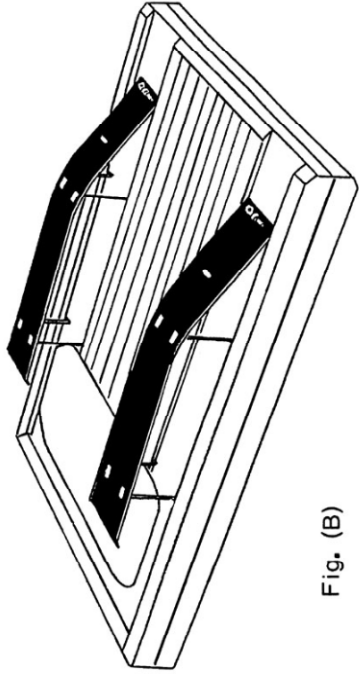


Fig. (B)

To use skis, simply remove the clip pin holding each ski to the floor and lift ski to elevated position and place hole in end of ski over ski lock bracket as shown in Fig. B, then slide clip pin thru the ski lock bracket to lock skis in upright position.

**Skis will support the weight of the shelter plus your normal ice fishing gear at walking speed only.**

**Shelter is not designed to transport people or to be pulled at high speed by a motorized vehicle.**