


SK4000 REPLACEMENT SKI INSTRUCTIONS (for Shappell 4000 Shelter)

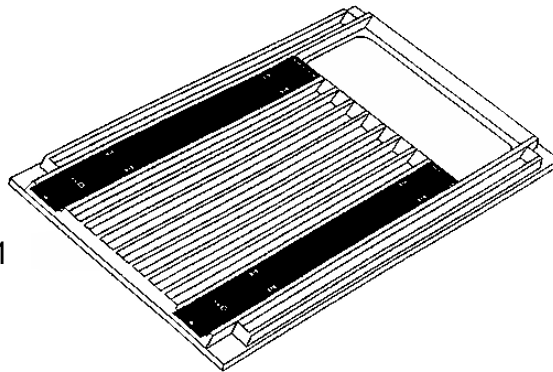
Tools Required: Electric Drill, 1/4" Drill Bit, 3/16" Drill Bit, #2 Philips Screwdriver, 5/16" Socket Wrench or Small Adjustable Pliers.

- 1) Remove the Old Skis by Squeezing the Wire Support Brackets so that the Bracket Ears come out of the holes in the Shelter Base.

- 2) Examine the Ski Lock Brackets.  If they are damaged, remove by Drilling out rivets with a 3/16" drill bit. Install New Ski Lock Brackets in the existing holes with the Machine Screws and Lock Nuts provided. Note: you will need to remove some of the carpet fasteners and fold back carpet to install new brackets. Re-install carpet with same fasteners when done.

- 3) Install New Skis by inserting Ears on one side of Wire Support Brackets into holes in the Shelter Base then squeeze Bracket and insert Opposite Ears into holes in opposite Rib of Shelter Base.
- 4) To Secure Ski in Folded Position: Fold Ski flat to floor so that second oval hole from end of ski is over Ski Lock Bracket and install clip pin thru bracket as shown in Fig. 1.

Fig. 1



- 5) To Lock Ski in Towing Position. Lift Ski up and bend front edge of Ski down and place oval hole in end of Ski over Ski Lock Bracket, then slide clip pin thru Ski Lock Bracket to lock ski in upright position as shown in Fig. 2.

Fig. 2

