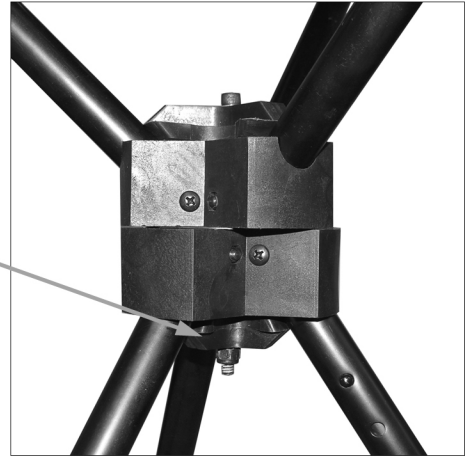


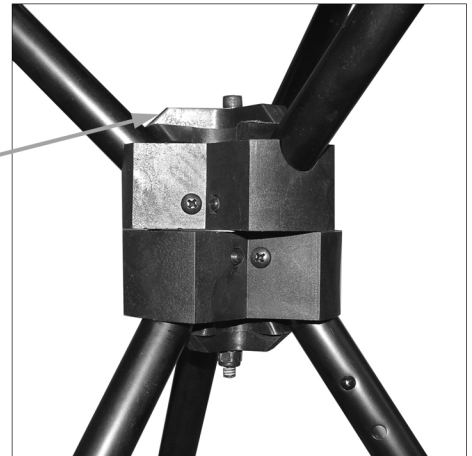
All Terrain Swivel Chair

INSTRUCTIONS

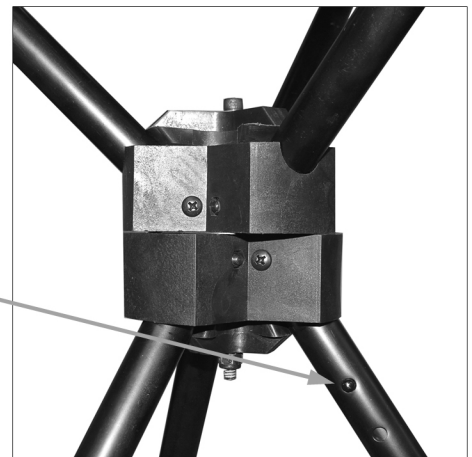
1. Turn Bottom Twist Lock to Lock Legs.



2. Turn Top Twist Lock to Lock Seat Frames.



3. Adjust Legs to Comfortable Height and to make Chair Level.



Rated for 250 lbs.
GROUND USE ONLY

PLEASE DO NOT RETURN PRODUCT TO STORE

FOR WARRANTY ISSUES CONTACT:

Shappell Corporation, 3562 Jefferson Hwy., Grand Ledge, MI 48837, 1-888-571-1144